

ELP CL IP

COLOR LED ELLIPSOIDAL LIGHT FIXTURE – IP65 RATED

SPEC SHEET



OVERVIEW

Martin ELP CL IP (Color) LED ellipsoid fixtures deliver class-leading luminance, output and great color mixing from pastels to saturated colors. Ergonomic Danish engineering offers advances in lighting functionality that include the easy-to-use gear-based Fine Focus—an industry first—and on-board Fast Focus, which allows focusing of the fixture without the need of DMX data. ELP also offers 16-bit dimming with 4 selectable curves and 26 color presets that match industry-standard color filters.

ELP fixtures can be configured in black or white with one of four Martin fixed lens tubes (19°, 26°, 36° or 50° beam angles) or one of two Martin zoom lens tubes (15–30° or 25–50° beam angles). ELP fixtures are also compatible with third-party lens tubes and a wide range of accessories, including gel frames and gobos for flexibility in lighting design and inventory management.

The ELP CL IP is designed to withstand the elements in temporary outdoor environments, with an IP65 rating for water resistance and dust protection, and C3 corrosion resistance for improved durability.

Superior output, optics and quality, combined with unparalleled ease-of-use and convenience, make Martin ELP the leading LED ellipsoidal fixtures in their class.

Martin recommends using official Martin-branded ELP accessories for the highest possible performance. While we strive to ensure compatibility with third-party accessories, we cannot guarantee optimal performance and recommend that the user makes an evaluation of such an accessory before purchasing.

KEY MESSAGES

ADVANCED MARTIN OPTICS

Martin ELP ellipsoids feature optic assemblies designed in Denmark by the technology innovators behind MAC Encore, the leading LED moving light. The ELP is designed to maximize efficiency and deliver a flat field of illumination for smoother blending and mixing between fixtures.

CUTTING-EDGE LED TECHNOLOGY

ELP CL IP offers an impressive 6,900 lumens and 85 CRI in High Output mode, and 5,900 lumens and 90 CRI in High Quality mode, with a color temperature of 6,000K (open white). ELP ellipsoids also offer flicker-free operation for consistent light output—on and off camera—and 16-bit dimming with 4 selectable curves.

FOCUS ON FUNCTIONALITY

ELP takes a classic light fixture to new performance levels with a suite of innovative features. Our gear-based Fine Focus adjustment—an industry first—lets you lock focus exactly where you want it, instantly. There's no refocusing, no drifting and no slipping. Our innovative Fast

HIGHLIGHTS

- **Impressive light output and CRI rating**
Class-leading 6,900 lumen output rating (High Output mode) and 90 CRI rating (High Quality mode)
- **Revolutionary focus and functionality**
Industry's first gear-driven Fine Focus, Fast Focus for data-free focusing and more
- **Compatible with universal accessories**
Use industry standard lens tubes, gel frames, gobo holders and rotators
- **IP65 Rated**
Offers water resistance and complete dust protection for temporary outdoor applications

Focus feature brings the fixture to full output for 60 seconds without data running to the fixture. Halation color correction removes atypical blue and brown halos when using Martin lens tubes. And with an IP65 rating and C3 corrosion resistance, ELP CL IP was designed to withstand operation in temporary outdoor environments.

ERGONOMIC DESIGN

Danish engineering is all about efficiency and ergonomics, and the subtle details of ELP are no exception: We've placed the center of gravity as close to the yoke as possible, for more comfortable operation. And, we've placed tilt knobs out of the way of framing shutters, to allow quick, easy position adjustments.

INVEST IN THE FUTURE, WITH A MINIMAL FINANCIAL INVESTMENT

It has never been easier to transition your inventory to LED ellipsoids. In addition to the six lens tube configurations available through Martin, the ELP line fits common third-party lens tubes and accessories—which means you can save money by using your existing gel frames, gobo holders and rotators and lens tubes.

ELP CL IP

COLOR LED ELLIPSOIDAL LIGHT FIXTURE – IP65 RATED

SPEC SHEET

FEATURES

- Color mixing ellipsoidal fixture based on 91 LEDs (RGBLA)
- Flat, even field with broad color spectrum
- Outputs 6,900 lumens (in High Output mode)
- CRI rating of 90 (in High Quality mode)
- Flicker-free operation with adjustable Pulse Width Modulation
- 16-bit dimming with 4 selectable curves
- 26 color presets that match industry-standard color filters
- Gear-driven Fine Focus for one-hand operation
- On-board Fast Focus for focusing without the need of DMX data
- On-board stand-alone programming with up to 20 scenes
- Up to 9 fixtures can be linked via PowerCon Thru connector
- High-resolution OLED display for easy on-board setting and configuration
- Four available Martin fixed lens tubes (19°, 26°, 36° and 50° beam angles) and two available Martin zoom lens tubes (15–30° and 25–50° beam angles)
- Compatible with universal accessories—use existing lens tubes, gel frames, gobo holders and rotators
- IP65 Rated for water resistance and dust protection



ORDERING INFORMATION

BODY & LENS TUBES

| | |
|--|----------------|
| • Martin ELP CL IP (Body Only): | P/N 9045122814 |
| • Martin ELP CL IP (Body Only), White: | P/N 9045122816 |
| • Martin ELP Lens Tube 19°: | P/N 9045107782 |
| • Martin ELP Lens Tube 19°, White: | P/N 9045115166 |
| • Martin ELP Lens Tube 26°: | P/N 9045107783 |
| • Martin ELP Lens Tube 26°, White: | P/N 9045115167 |
| • Martin ELP Lens Tube 36°: | P/N 9045107784 |
| • Martin ELP Lens Tube 36°, White: | P/N 9045115168 |
| • Martin ELP Lens Tube 50°: | P/N 9045107785 |
| • Martin ELP Lens Tube 50°, White: | P/N 9045115170 |
| • Martin ELP Zoom Lens Tube 15–30°: | P/N 9045121618 |
| • Martin ELP Zoom Lens Tube 15–30°, White: | P/N 9045122108 |
| • Martin ELP Zoom Lens Tube 25–50°: | P/N 9045121619 |
| • Martin ELP Zoom Lens Tube 25–50°, White: | P/N 9045122109 |

RELATED ITEMS

| | |
|----------------------------|--------------|
| • Martin RDM 5.5 Splitter: | P/N 90758150 |
| • Martin Companion Cable: | P/N 91616091 |

ACCESSORIES

Power Input Cables (16 A)*

| | |
|---|--------------|
| • Power Input Cable, H07RN-F, 2.5 mm ² , bare ends to TRUE1 NAC3FX-W (female), 1.5 m (4.9 ft.) | P/N 91611797 |
| • Power Input Cable, H07RN-F, 2.5 mm ² , bare ends to TRUE1 NAC3FX-W (female), 5 m (16.4 ft.) | P/N 91611786 |
| • Power Input Cable, SJOOW, 12 AWG, bare ends to TRUE1 NAC3FX-W (female), 1.5 m (4.9 ft.) | P/N 91610173 |
| • Power Input Cable, SJOOW, 12 AWG, bare ends to TRUE1 NAC3FX-W (female), 5 m (16.4 ft.) | P/N 91610174 |

Power Relay Cables*

| | |
|--|--------------|
| • Power Relay Cable, H07RN-F, 2.5 mm ² , TRUE1-TRUE1 0.45 m (1.5 ft.) | P/N 91611784 |
| • Power Relay Cable, H07RN-F, 2.5 mm ² , TRUE1-TRUE1 1.2 m (3.9 ft.) | P/N 91611785 |
| • Power Relay Cable, H07RN-F, 2.5 mm ² , TRUE1-TRUE1 2.5 m (8.2 ft.) | P/N 91611796 |
| • Power Relay Cable, SJOOW, 12 AWG, TRUE1-TRUE1, 0.45 m (1.5 ft.) | P/N 91610170 |
| • Power Relay Cable, SJOOW, 12 AWG, TRUE1-TRUE1, 1.2 m (3.9 ft.) | P/N 91610171 |
| • Power Relay Cable, SJOOW, 12 AWG, TRUE1-TRUE1, 2.5 m (8.2 ft.) | P/N 91610172 |

Power Connectors*

| | |
|--|----------------|
| • Neutrik PowerCON TRUE1 NAC3MX-W (male) | P/N 91611788HU |
| • Neutrik PowerCON TRUE1 NAC3FX-W (female) | P/N 91611789HU |

*All TRUE1 connectors are IP65-rated TOP type

Spare Parts

| | |
|---|----------------|
| • Pressure Relief Valve with Gore membrane, M12 x 1.5 | P/N 5127883-00 |
|---|----------------|

ELP CL IP

COLOR LED ELLIPSOIDAL LIGHT FIXTURE – IP65 RATED

SPEC SHEET

TECHNICAL SPECIFICATIONS

DYNAMIC EFFECTS

| | | |
|-----------------------------|-------|--|
| Color mixing | | RGBLA |
| Color temperature range | | 2000–10000K |
| Color selection | | 26 color presets |
| Electronic dimming | | 0–100% |
| Strobe and pulse effect | | Variable speed and action, random strobe |
| Electronic 'shutter' effect | | Instant open and blackout |
| Electronic dimming | | Four dimming curve options |

CONTROL & PROGRAMMING

| | | |
|-------------------------|-------|--|
| DMX channels | | 1/10/17 |
| 16-bit control | | Intensity, CTC, RGBLA |
| Control options | | DMX, stand-alone |
| PWM | | 600–2400 Hz |
| Setting and addressing | | Control panel with OLED display or via RDM |
| Stand-alone programming | | Control panel with OLED display |
| DMX compliance | | USITT DMX512-A |
| RDM compliance | | ANSI/ESTA E1.20 |
| Transceiver | | Opto-isolated RS-485 |

OPTICS

| | | |
|-------------------------|-------|---|
| Light source | | 91 x RGBAL Luxeon Rebel LEDs (19 Red, 24 Green, 12 Blue, 24 Lime, 12 Amber) |
| Color temperature | | 2000–10000K |
| Fixed Lens Tube Options | | 19°, 26°, 36° and 50° |
| Zoom Lens Tube Options | | 15–30° and 25–50° |
| Minimum LED lifetime | | 30 000 hours (to >70% luminous output)* |

*Figure obtained under manufacturer's test conditions.

PHOTOMETRIC DATA (HIGH QUALITY MODE @ 6000K)

| | | |
|--|-------|-------------|
| Light Engine luminous output | | 20000 lumen |
| Fixture luminous output | | 5900 lumen |
| CRI (Color Rendering Index) | | >90 |
| CQS (Color Quality Scale) | | >87 |
| TM-30 Rf (IES TM-30-15 Fidelity Index) | | >84 |
| TM-30 Rg (IES TM-30-15 Gamut Index) | | >106 |
| TLCl (Television Lighting Consistency Index) | | >87 |

PHOTOMETRIC DATA (HIGH OUTPUT MODE @ 5500K)

| | | |
|--|-------|-------------|
| Light Engine luminous output | | 20000 lumen |
| Fixture luminous output | | 6900 lumen |
| CRI (Color Rendering Index) | | >85 |
| CQS (Color Quality Scale) | | >90 |
| TM-30 Rf (IES TM-30-15 Fidelity Index) | | >84 |
| TM-30 Rg (IES TM-30-15 Gamut Index) | | >111 |
| TLCl (Television Lighting Consistency Index) | | >85 |

CONSTRUCTION

| | | |
|-------------------|-------|------------------------|
| Color(s) | | Black or white variant |
| Housing | | Die-cast aluminum |
| Protection rating | | IP65 |

GOBOS & COLOR FRAME

| | | |
|------------------|-------|------------------------------------|
| Gobo size | | A size, 100 mm OD, 75 mm image* |
| Gobo size | | B size, 86 mm OD, 64.5 mm image* |
| Color frame size | | 159 x 159 mm (6.25 in. x 6.25 in.) |

*Gobo holder not included.

INSTALLATION

| | | |
|---|-------|---|
| Mounting | | Adjustable bracket |
| Location | | Indoor, outdoor use, suitable for wet locations |
| Orientation | | Any |
| Minimum distance to combustible materials | | 0.2 m (0.7 ft.) |
| Minimum distance to illuminated surfaces | | 0.5 m (1.6 ft.) |

CONNECTIONS

| | | |
|------------------------|-------|---------------------------------------|
| AC power in/thru | | IP65-rated Neutrik PowerCON TRUE1 TOP |
| DMX & RDM data in/thru | | IP65-rated 5-pin XLR |

ELECTRICAL

| | | |
|---|-------|-------------------------------------|
| AC power | | 100–240 V nominal, 50/60 Hz |
| Power supply unit | | Auto-ranging electronic switch-mode |
| Idle power (zero intensity) | | 5 W |
| Half-cycle RMS inrush current at 230 V, 50 Hz | | 18.0 A |
| Fixture link via PowerCON at 100–120 V | | Up to 4 fixtures |
| Fixture link via PowerCON at 200–240 V | | Up to 9 fixtures |

Power consumption figures are typical, not maximum. Allow for +/- 10% variation.

TYPICAL POWER AND CURRENT

| | | |
|--------------|-------|-----------------------|
| 110 V, 60 Hz | | 2.4 A, 259 W, PF 0.99 |
| 208 V, 60 Hz | | 1.3 A, 250 W, PF 0.96 |
| 230 V, 50 Hz | | 1.3 A, 249 W, PF 0.95 |
| 240 V, 50 Hz | | 1.1 A, 249 W, PF 0.95 |

Measurements made at nominal voltage with all LEDs at full intensity. Allow for a deviation of +/- 10%.

THERMAL

| | | |
|---|-------|---|
| Cooling | | Forced air (temperature-regulated, low noise) |
| Maximum ambient temperature (Ta max.) | | 40° C (104° F) |
| Minimum ambient temperature (Ta min.) | | 0° C (32° F) |
| Total heat dissipation (calculated, +/- 10%, at full intensity, full white) | | 1000 BTU/hr. |

APPROVALS

| | | |
|-------------------------------|-------|--|
| Global CB Certification/IECEE | | IEC 60598-2-17 (IEC 60598-1) |
| EU safety | | EN 60598-2-17 (EN 60598-1), EN 62471, EN 62493 |
| EU EMC | | EN 55015, EN 55032, EN 55035, EN 61000-3-2, EN 61000-3-3, EN 61547 |
| US safety | | UL 1573 |
| US EMC | | FCC Part 15 Class B |
| Canadian safety | | CSA C22.2 No. 166 |
| Canadian EMC | | ICES-3 (B)/NMB-3 (B); ICES-5 (B)/NMB-5 (B) |
| Australia/NZ | | RCM |

INCLUDED ITEMS

| |
|------------------|
| Mounting bracket |
| User manual |



ELP CL IP

COLOR LED ELLIPSOIDAL LIGHT FIXTURE – IP65 RATED

SPEC SHEET

FIXED LENS PROJECTION DATA (HIGH OUTPUT MODE)

19° LENS TUBE



Center beam intensity: 78988 candela

| Distance meter (ft.) | 4 (13.1) | 6 (19.7) | 8 (26.2) | 10 (32.8) | 12 (39.4) | 14 (45.9) | 16 (52.5) | 18 (59) | 20 (65.6) |
|----------------------------------|------------|-----------|-----------|------------|------------|------------|------------|------------|------------|
| Field-angle diameter meter (ft.) | 1.5 (4.91) | 2.2 (7.4) | 3.0 (9.8) | 3.7 (12.3) | 4.5 (14.7) | 5.2 (17.2) | 6.0 (19.6) | 6.7 (22.1) | 7.5 (24.6) |
| Center illuminance (lux) | 4937 | 2194 | 1234 | 790 | 549 | 403 | 309 | 244 | 197 |
| Center illuminance (candela) | 459 | 204 | 115 | 73 | 51 | 37 | 29 | 23 | 18 |

For field diameter at any distance, multiply distance by 0.37

26° LENS TUBE



Center beam intensity: 57526 candela

| Distance meter (ft.) | 4 (13.1) | 6 (19.7) | 8 (26.2) | 10 (32.8) | 12 (39.4) | 14 (45.9) | 16 (52.5) | 18 (59) | 20 (65.6) |
|----------------------------------|-----------|-----------|------------|------------|------------|------------|------------|------------|------------|
| Field-angle diameter meter (ft.) | 1.8 (5.8) | 2.7 (8.8) | 3.6 (11.7) | 4.5 (14.6) | 5.3 (17.5) | 6.2 (20.4) | 7.1 (23.4) | 8.0 (26.3) | 8.9 (29.2) |
| Center illuminance (lux) | 3595 | 1598 | 899 | 575 | 399 | 294 | 225 | 178 | 144 |
| Center illuminance (candela) | 334 | 148 | 84 | 53 | 37 | 27 | 21 | 16 | 13 |

For field diameter at any distance, multiply distance by 0.45

36° LENS TUBE



Center beam intensity: 30439 candela

| Distance meter (ft.) | 4 (13.1) | 6 (19.7) | 8 (26.2) | 10 (32.8) | 12 (39.4) | 14 (45.9) | 16 (52.5) | 18 (59) | 20 (65.6) |
|----------------------------------|-----------|------------|------------|------------|------------|------------|-------------|-------------|-------------|
| Field-angle diameter meter (ft.) | 2.6 (8.4) | 3.9 (12.6) | 5.1 (16.9) | 6.4 (21.1) | 7.7 (25.3) | 9.0 (29.5) | 10.3 (33.7) | 11.6 (37.9) | 12.8 (42.1) |
| Center illuminance (lux) | 1902 | 846 | 476 | 304 | 211 | 155 | 119 | 94 | 76 |
| Center illuminance (candela) | 177 | 79 | 44 | 28 | 20 | 14 | 11 | 9 | 7 |

For field diameter at any distance, multiply distance by 0.64

50° LENS TUBE



Center beam intensity: 14666 candela

| Distance meter (ft.) | 4 (13.1) | 6 (19.7) | 8 (26.2) | 10 (32.8) | 12 (39.4) | 14 (45.9) | 16 (52.5) | 18 (59) | 20 (65.6) |
|----------------------------------|------------|------------|------------|------------|-------------|-------------|-------------|-------------|-------------|
| Field-angle diameter meter (ft.) | 3.9 (12.8) | 5.8 (19.2) | 7.8 (25.5) | 9.7 (31.9) | 11.7 (38.3) | 13.6 (44.7) | 15.6 (51.1) | 17.5 (57.5) | 19.5 (57.5) |
| Center illuminance (lux) | 917 | 407 | 229 | 147 | 102 | 75 | 57 | 45 | 45 |
| Center illuminance (candela) | 85 | 38 | 21 | 14 | 9 | 7 | 5 | 4 | 4 |

For field diameter at any distance, multiply distance by 0.97

For center illuminance at any distance, divide center beam intensity with distance in square (meter for lux, feet for candela)

ELP CL IP

COLOR LED ELLIPSOIDAL LIGHT FIXTURE – IP65 RATED

SPEC SHEET

FIXED LENS PROJECTION DATA (HIGH QUALITY MODE)

19° LENS TUBE



Center beam intensity: 66689 candela

| Distance meter (ft.) | 4 (13.1) | 6 (19.7) | 8 (26.2) | 10 (32.8) | 12 (39.4) | 14 (45.9) | 16 (52.5) | 18 (59) | 20 (65.6) |
|----------------------------------|-----------|-----------|-----------|------------|------------|------------|------------|------------|------------|
| Field-angle diameter meter (ft.) | 1.5 (4.9) | 2.2 (7.4) | 3.0 (9.8) | 3.7 (12.3) | 4.5 (14.7) | 5.2 (17.2) | 6.0 (19.6) | 6.7 (22.1) | 7.5 (63.9) |
| Center illuminance (lux) | 4168 | 1852 | 1042 | 667 | 463 | 340 | 261 | 206 | 167 |
| Center illuminance (candela) | 387 | 172 | 97 | 62 | 43 | 32 | 24 | 19 | 15 |

For field diameter at any distance, multiply distance by 0.37

26° LENS TUBE



Center beam intensity: 48559 candela

| Distance meter (ft.) | 4 (13.1) | 6 (19.7) | 8 (26.2) | 10 (32.8) | 12 (39.4) | 14 (45.9) | 16 (52.5) | 18 (59) | 20 (65.6) |
|----------------------------------|-----------|-----------|------------|------------|------------|------------|------------|------------|------------|
| Field-angle diameter meter (ft.) | 1.8 (5.8) | 2.7 (8.8) | 3.6 (11.7) | 4.5 (14.6) | 5.3 (17.5) | 6.2 (20.4) | 7.1 (23.4) | 8.0 (26.3) | 8.9 (29.2) |
| Center illuminance (lux) | 3035 | 1349 | 759 | 486 | 337 | 248 | 190 | 150 | 121 |
| Center illuminance (candela) | 282 | 125 | 70 | 45 | 31 | 23 | 18 | 14 | 11 |

For field diameter at any distance, multiply distance by 0.45

36° LENS TUBE



Center beam intensity: 25554 candela

| Distance meter (ft.) | 4 (13.1) | 6 (19.7) | 8 (26.2) | 10 (32.8) | 12 (39.4) | 14 (45.9) | 16 (52.5) | 18 (59) | 20 (65.6) |
|----------------------------------|-----------|------------|------------|------------|------------|------------|-------------|-------------|-------------|
| Field-angle diameter meter (ft.) | 2.6 (8.4) | 3.9 (12.6) | 5.1 (16.9) | 6.4 (21.1) | 7.7 (25.3) | 9.0 (29.5) | 10.3 (33.7) | 11.6 (37.9) | 12.8 (42.1) |
| Center illuminance (lux) | 1597 | 710 | 399 | 256 | 177 | 130 | 100 | 79 | 64 |
| Center illuminance (candela) | 148 | 66 | 37 | 24 | 16 | 12 | 9 | 7 | 6 |

For field diameter at any distance, multiply distance by 0.64

50° LENS TUBE



Center beam intensity: 12393 candela

| Distance meter (ft.) | 4 (13.1) | 6 (19.7) | 8 (26.2) | 10 (32.8) | 12 (39.4) | 14 (45.9) | 16 (52.5) | 18 (59) | 20 (65.6) |
|----------------------------------|------------|------------|------------|------------|-------------|-------------|-------------|-------------|-------------|
| Field-angle diameter meter (ft.) | 3.9 (12.8) | 5.8 (19.2) | 7.8 (25.5) | 9.7 (31.9) | 11.7 (38.3) | 13.6 (44.7) | 15.6 (51.1) | 17.5 (57.5) | 19.5 (63.9) |
| Center illuminance (lux) | 775 | 344 | 194 | 124 | 86 | 63 | 48 | 38 | 31 |
| Center illuminance (candela) | 72 | 32 | 18 | 12 | 8 | 6 | 4 | 4 | 3 |

For field diameter at any distance, multiply distance by 0.97

For center illuminance at any distance, divide center beam intensity with distance in square (meter for lux, feet for candela)

ELP CL IP

COLOR LED ELLIPSOIDAL LIGHT FIXTURE – IP65 RATED

SPEC SHEET

ZOOM LENS PROJECTION DATA (HIGH OUTPUT MODE/15–30°)

15–30° ZOOM LENS TUBE



NARROW BEAM

Center beam intensity: 108890 candela

| Distance meter (ft.) | 4 (13.1) | 6 (19.7) | 8 (26.2) | 10 (32.8) | 12 (39.4) | 14 (45.9) | 16 (52.5) | 18 (59) | 20 (65.6) |
|----------------------------------|------------|------------|------------|-----------|-------------|-------------|-------------|------------|-----------|
| Field-angle diameter meter (ft.) | 1.2 (3.93) | 1.8 (5.91) | 2.4 (7.86) | 3 (9.84) | 3.6 (11.82) | 4.2 (13.77) | 4.8 (15.75) | 5.4 (17.7) | 6 (19.68) |
| Center illuminance (lux) | 6806 | 3025 | 1701 | 1089 | 756 | 556 | 425 | 336 | 272 |
| Center illuminance (candela) | 632 | 281 | 158 | 101 | 70 | 52 | 40 | 31 | 25 |

For field diameter at any distance, multiply distance by 0.3

15–30° ZOOM LENS TUBE



MEDIUM BEAM

Center beam intensity: 61912 candela

| Distance meter (ft.) | 4 (13.1) | 6 (19.7) | 8 (26.2) | 10 (32.8) | 12 (39.4) | 14 (45.9) | 16 (52.5) | 18 (59) | 20 (65.6) |
|----------------------------------|------------|------------|-------------|-----------|-------------|-------------|-----------|------------|-----------|
| Field-angle diameter meter (ft.) | 1.6 (5.24) | 2.4 (7.88) | 3.2 (10.48) | 4 (13.12) | 4.8 (15.76) | 5.6 (18.36) | 6.4 (21) | 7.2 (23.6) | 8 (26.24) |
| Center illuminance (lux) | 3869 | 1720 | 967 | 619 | 430 | 316 | 242 | 191 | 155 |
| Center illuminance (candela) | 360 | 160 | 90 | 58 | 40 | 29 | 23 | 18 | 14 |

For field diameter at any distance, multiply distance by 0.4

15–30° ZOOM LENS TUBE



WIDE BEAM

Center beam intensity: 39550 candela

| Distance meter (ft.) | 4 (13.1) | 6 (19.7) | 8 (26.2) | 10 (32.8) | 12 (39.4) | 14 (45.9) | 16 (52.5) | 18 (59) | 20 (65.6) |
|----------------------------------|----------|----------|----------|-----------|-----------|-----------|-----------|----------|-----------|
| Field-angle diameter meter (ft.) | 2 (6.55) | 3 (9.85) | 4 (13.1) | 5 (16.4) | 6 (19.7) | 7 (22.95) | 8 (26.25) | 9 (29.5) | 10 (32.8) |
| Center illuminance (lux) | 2472 | 1099 | 618 | 395 | 275 | 202 | 154 | 122 | 99 |
| Center illuminance (candela) | 230 | 102 | 57 | 37 | 26 | 19 | 14 | 11 | 9 |

For field diameter at any distance, multiply distance by 0.5

For center illuminance at any distance, divide center beam intensity with distance in square (meter for lux, feet for candela)

ELP CL IP

COLOR LED ELLIPSOIDAL LIGHT FIXTURE – IP65 RATED

SPEC SHEET

ZOOM LENS PROJECTION DATA (HIGH OUTPUT MODE/25–50°)

25–50° ZOOM LENS TUBE



NARROW BEAM

Center beam intensity: 62561 candela

| Distance meter (ft.) | 4 (13.1) | 6 (19.7) | 8 (26.2) | 10 (32.8) | 12 (39.4) | 14 (45.9) | 16 (52.5) | 18 (59) | 20 (65.6) |
|----------------------------------|------------|------------|-------------|-----------|-------------|-------------|-----------|------------|-----------|
| Field-angle diameter meter (ft.) | 1.6 (5.24) | 2.4 (7.88) | 3.2 (10.48) | 4 (13.12) | 4.8 (15.76) | 5.6 (18.36) | 6.4 (21) | 7.2 (23.6) | 8 (26.24) |
| Center illuminance (lux) | 3910 | 1738 | 978 | 626 | 434 | 319 | 244 | 193 | 156 |
| Center illuminance (candela) | 363 | 161 | 91 | 58 | 40 | 30 | 23 | 18 | 15 |

For field diameter at any distance, multiply distance by 0.4

25–50° ZOOM LENS TUBE



MEDIUM BEAM

Center beam intensity: 40507 candela

| Distance meter (ft.) | 4 (13.1) | 6 (19.7) | 8 (26.2) | 10 (32.8) | 12 (39.4) | 14 (45.9) | 16 (52.5) | 18 (59) | 20 (65.6) |
|----------------------------------|----------|----------|----------|-----------|-----------|-----------|-----------|----------|-----------|
| Field-angle diameter meter (ft.) | 2 (6.55) | 3 (9.85) | 4 (13.1) | 5 (16.4) | 6 (19.7) | 7 (22.95) | 8 (26.25) | 9 (29.5) | 10 (32.8) |
| Center illuminance (lux) | 2532 | 1125 | 633 | 405 | 281 | 207 | 158 | 125 | 101 |
| Center illuminance (candela) | 235 | 105 | 59 | 38 | 26 | 19 | 15 | 12 | 9 |

For field diameter at any distance, multiply distance by 0.5

25–50° ZOOM LENS TUBE



WIDE BEAM

Center beam intensity: 23981 candela

| Distance meter (ft.) | 4 (13.1) | 6 (19.7) | 8 (26.2) | 10 (32.8) | 12 (39.4) | 14 (45.9) | 16 (52.5) | 18 (59) | 20 (65.6) |
|----------------------------------|------------|-------------|-------------|-----------|-------------|-------------|--------------|-------------|------------|
| Field-angle diameter meter (ft.) | 2.8 (9.17) | 4.2 (13.79) | 5.6 (18.34) | 7 (22.96) | 8.4 (27.58) | 9.8 (32.13) | 11.2 (36.75) | 12.6 (41.3) | 14 (45.92) |
| Center illuminance (lux) | 1499 | 666 | 375 | 240 | 167 | 122 | 94 | 74 | 60 |
| Center illuminance (candela) | 139 | 62 | 35 | 22 | 16 | 11 | 9 | 7 | 6 |

For field diameter at any distance, multiply distance by 0.7

For center illuminance at any distance, divide center beam intensity with distance in square (meter for lux, feet for candela)

ELP CL IP

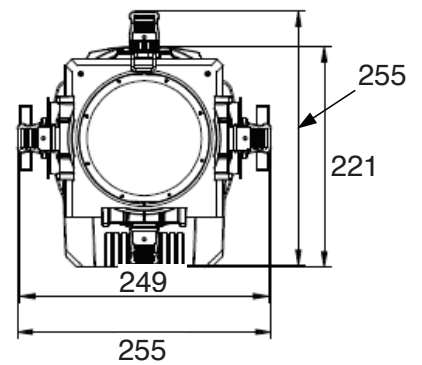
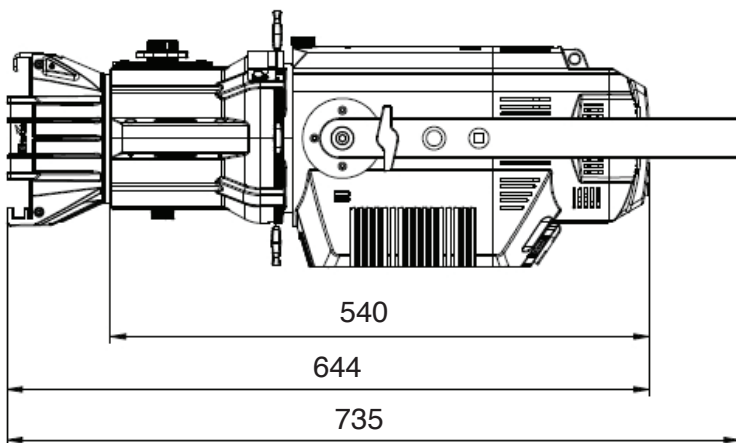
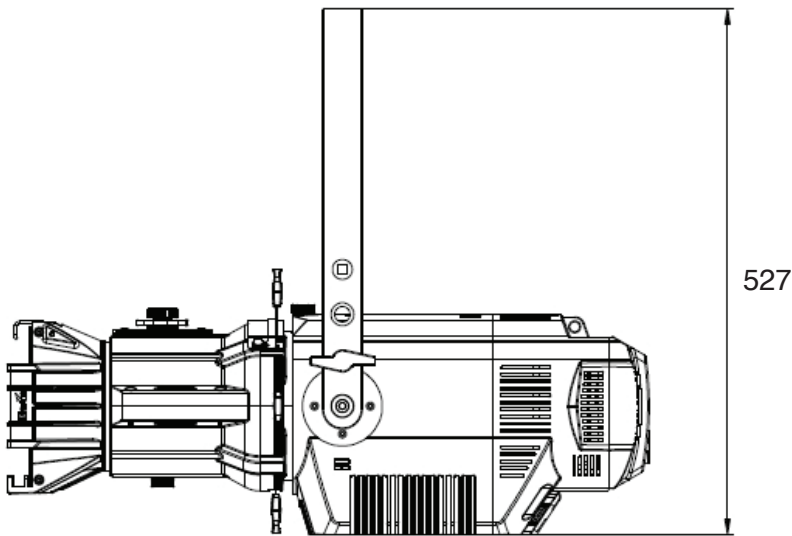
COLOR LED ELLIPSOIDAL LIGHT FIXTURE – IP65 RATED

SPEC SHEET

DIMENSIONS (BODY & FIXED LENSES)

PHYSICAL

| | |
|----------------------------|-------------------|
| Length..... | 644 mm (25.4 in.) |
| Width..... | 255 mm (10.1 in.) |
| Height..... | 255 mm (10.1 in.) |
| Height (with bracket)..... | 527 mm (20.1 in.) |
| Weight..... | 11 kg (24.3 lb.) |



All measurements in mm

ELP CL IP

COLOR LED ELLIPSOIDAL LIGHT FIXTURE – IP65 RATED

SPEC SHEET

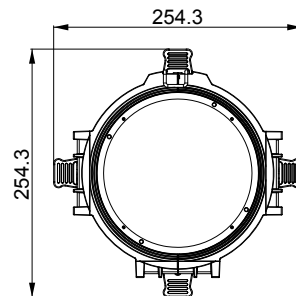
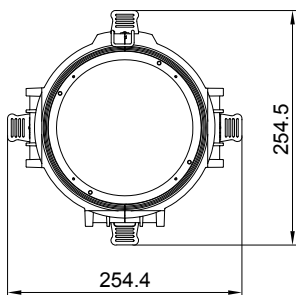
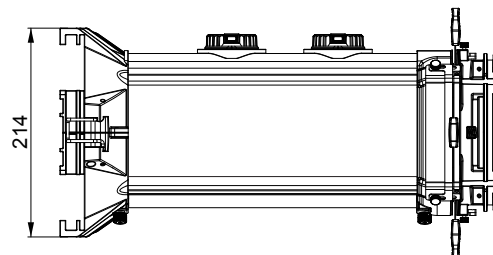
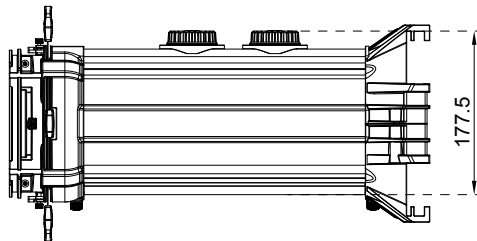
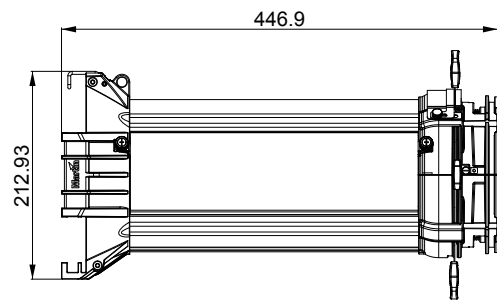
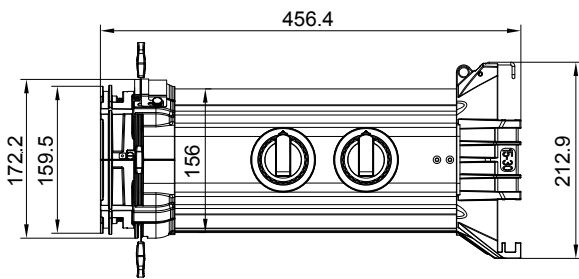
DIMENSIONS (ZOOM LENSES)

PHYSICAL (15–30° ZOOM LENS)

Length.....456.4 mm (17.96 in.)
Width.....254.4 mm (10.02 in.)
Height.....254.5 mm (10.02 in.)
Weight.....6 kg (13.2 lb)

PHYSICAL (25–50° ZOOM LENS)

Length.....446.9 mm (17.6 in.)
Width.....254.3 mm (10.01 in.)
Height.....254.3 mm (10.01 in.)
Weight.....6 kg (13.2 lb)



All measurements in mm